

BAG FILTER INSERT – FK-K-M5

Description:

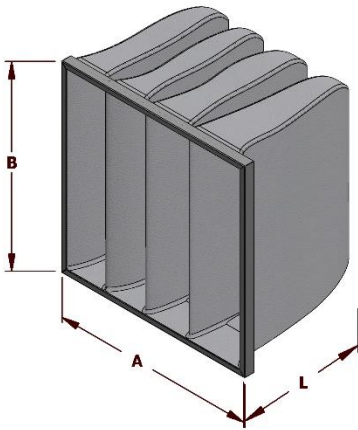
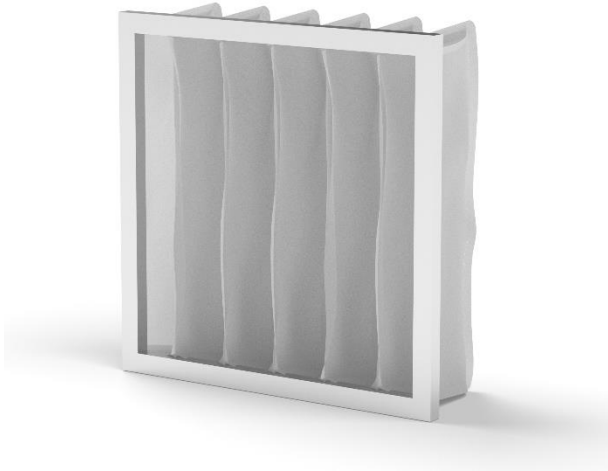
Class M5 filtration insert. For use in bag filter casings – SFA.

Characteristics:

Sheet type: galvanized

Connection method: seam lock, spot weld, rivets

Filter frame: 20 mm



Sample manufactured element dimensions:

Casing type	A (mm)	B (mm)	L (mm)
SFA100	185	195	300
SFA125	185	195	300
SFA160	185	195	300
SFA200	285	295	300
SFA250	285	295	300
SFA315	435	445	300
SFA355	435	445	300
SFA400	435	445	300