

CASSETTE FILTER CASING – SFB

Description:

The cassette filter casing may be fitted with class G3, M5, F7 filters. Used for cleaning the air delivered to rooms, as well as evacuated through air-conditioning systems.

Characteristics:

Sheet type: galvanized

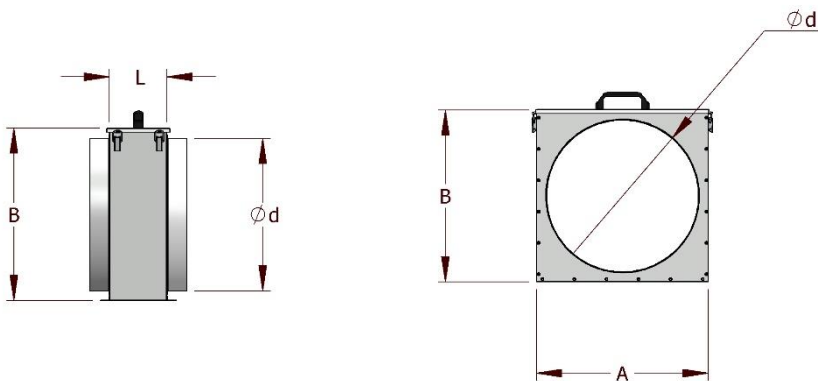
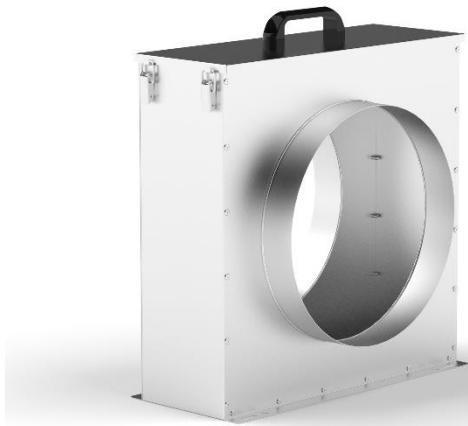
Connection method: seam lock, spot weld, rivets

Standard design: L = 150 mm

Endings: male

Leakproofness standard: Class A, Class B, Class C

Filter type: Cassette filter class G3, M5, F7, 20 mm thickness



Sample manufactured element dimensions:

Ød (mm)	A (mm)	B (mm)	L (mm)
100	200	200	150
125	200	200	150
160	200	200	150
200	300	300	150
250	300	300	150
315	450	450	150
355	450	450	150
400	450	450	150