

# CASSETTE FILTER CASING – SFD

## Description:

The cassette filter casing may be fitted with class G3, M5, F7 filters. Used for cleaning the air delivered to rooms, as well as evacuated through air-conditioning systems.

## Characteristics:

Sheet type: galvanized

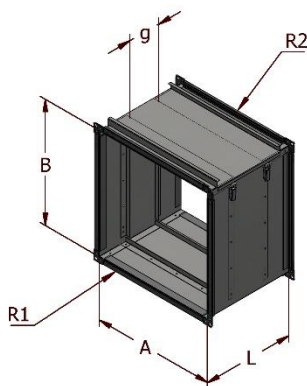
Connection method: seam lock, spot weld, rivets

Standard design:  $g = 55 \text{ mm}$ ,  $L = 150 \text{ mm}$

Endings: P20, P20 LR, P30, P30 LR, bare end, outward bending

Leakproofness standard: Class A, Class B, Class C

Filter type: Cassette filter class G3, M5, F7, 50 mm thickness



## Sample manufactured element dimensions:

| A (mm) | B (mm) | L (mm) |
|--------|--------|--------|
| 200    | 200    | 150    |
| 300    | 300    | 150    |
| 450    | 450    | 150    |