

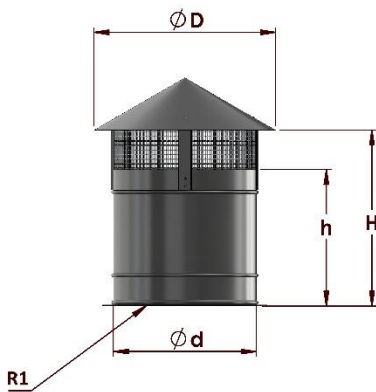
# CIRCULAR AIR INTAKE – CD-C1

## Description:

CD-C1 circular roof air intake to be installed on roofs on circular bases. The air intake is fitted with a 13 x13 mesh, preventing leaves and birds from entering into the ventilation ductwork. The hood protects against atmospheric precipitation.

## Characteristics:

Sheet type: galvanized  
 Connection method: seam lock, spot weld, rivets  
 Standard design: -  
 Endings: male, female, flange  
 Leakproofness standard: Class A



## Sample manufactured element dimensions:

ød (mm)	øD (mm)	H (mm)	h (mm)
100	250	240	200
125	270	270	220
160	450	325	250
200	570	385	305
250	640	410	315
315	720	455	335
355	810	510	360
400	900	570	380
450	1000	610	390
500	1100	630	390
630	1200	720	450