

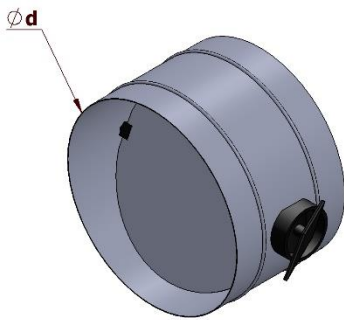
CIRCULAR DAMPER – DAS-PVC

Description:

Circular dampers are used for controlling airflow in circular ductwork. The position of the blade is controlled by means of a handle within the range of 0–90°. Standard blade length is 200 mm.

Characteristics:

Sheet type: galvanized
 Connection method: seam lock, spot weld
 Standard design: –
 Endings: male
 Leakproofness standard: Class A



Sample manufactured element dimensions:

$\varnothing d$ (mm)
80
100
125
160
200
250
315
355
400
450
500
630