

CIRCULAR DUCT COLLAR – SR

Description:

The collar is used for connecting a rectangular branch to a circular ventilation duct. It is fixed with rivets or screws to a previously prepared opening. Edges need to be sealed with silicone or acrylic sealant.



Characteristics:

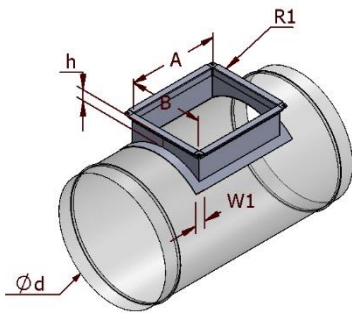
Sheet type: galvanized

Connection method: seam lock, spot weld

Standard design: h = 100 mm, W1 = 20 mm

Endings: P20, P20 LR, P30, P30 LR, bare end, outward bending

Leakproofness standard: Class A, Class B



Sample manufactured element dimensions:

A (mm)	B (mm)	h (mm)	Ød (mm)
200	100	100	125
200	120	100	160
160	160	100	200
200	200	100	250
400	250	100	315
400	200	100	355
500	300	100	400
400	350	100	450
400	400	100	500
450	400	100	560
500	400	100	630