

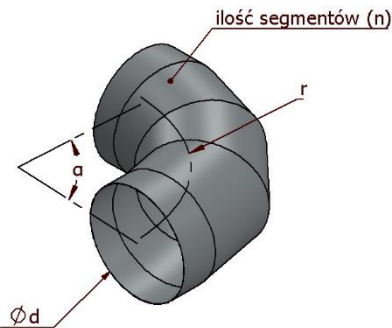
CIRCULAR SEGMENTED ELBOW – KOS

Description:

Circular segmented elbows are used in circular ductwork. One elbow consists of several segments connected with a seam lock. Segmented elbows are manufactured as male-sized.

Characteristics:

Sheet type: galvanized
 Connection method: seam lock, spot weld
 Standard design: $d = r$, $\alpha = 90^\circ$
 Endings: male
 Leakproofness standard: Class A, Class B



Sample manufactured element dimensions:

$\varnothing d$ (mm)	r (mm)
80	80
100	100
125	125
160	160
200	200
250	250
315	315
355	355
400	400
450	450
500	500
630	630