

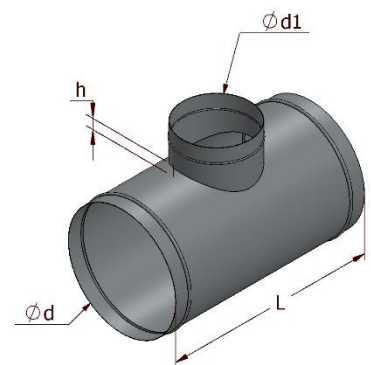
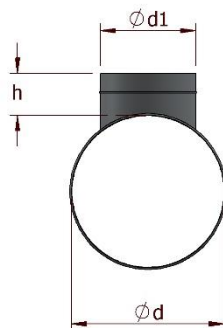
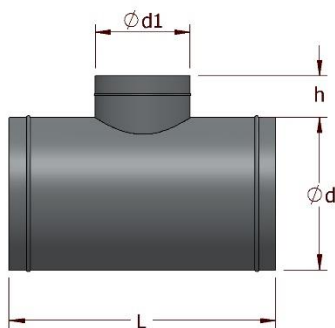
CIRCULAR THREE-WAY FITTING WITH CIRCULAR BRANCH – TPC

Description:

All circular three-ways are full-bore with 90-degree branches. Branch size is equal to or smaller than the main duct size.

Characteristics:

Sheet type: galvanized
 Connection method: seam lock, spot weld
 Standard design: $h = 100$ mm
 Endings: male
 Leakproofness standard: Class A, Class B



Sample manufactured element dimensions:

$\varnothing d$ (mm)	$\varnothing d1$ (mm)	L (mm)
80	80	250
100	100	264
125	125	258
160	160	308
200	200	348
250	250	378
315	315	528
400	400	520
450	400	520
500	315	435
630	400	420