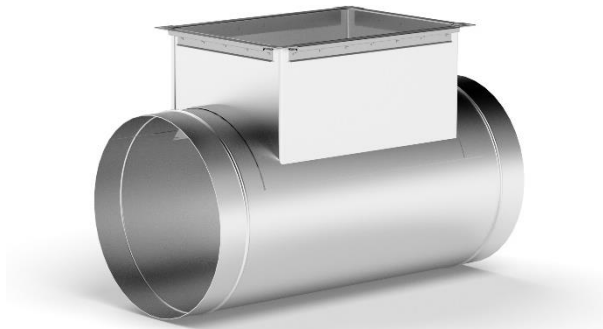


CIRCULAR THREE-WAY FITTING WITH RECTANGULAR BRANCH – TOP



Description:

At one end, the three-way is fitted with a profile frame. The circular three-way with rectangular branch is used for connecting a rectangular duct to a circular one.

Characteristics:

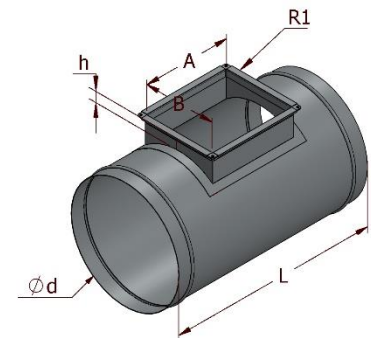
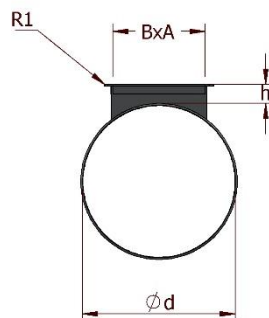
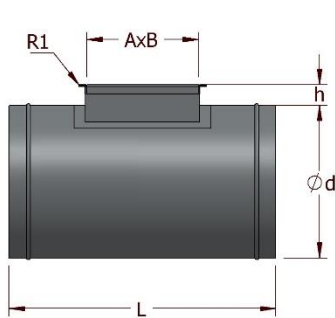
Sheet type: galvanized

Connection method: seam lock, spot weld

Standard design: $h = 100$ mm

Endings: male-sized, P20, P20 LR, P30, P30 LR, bare end, outward bending

Leakproofness standard: Class A, Class B



Sample manufactured element dimensions:

Ød (mm)	A (mm)	B (mm)	L (mm)
160	200	160	400
200	200	160	400
250	300	200	500
315	400	250	600
355	450	315	650
400	500	355	700
450	600	400	800
500	600	450	800
560	700	500	900
630	800	600	1000