

DOUBLE BRANCH BEND – TM2

Description:

Double branch bends terminate with frames made of profiles and are additionally reinforced with transverse sheet corrugation. This three-way fitting allows for routing ductwork with two branches at any angle.

Characteristics:

Measurement: DIN 18379

Sheet type: galvanized

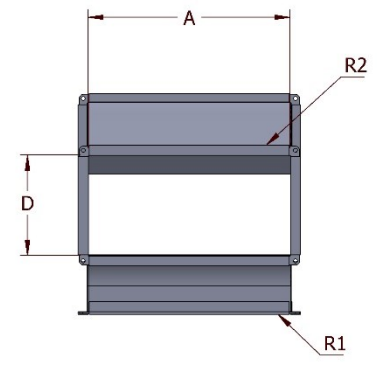
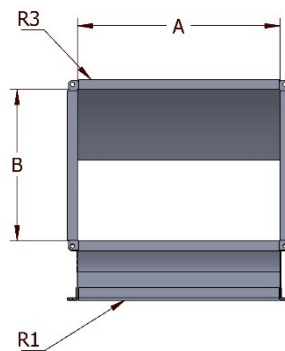
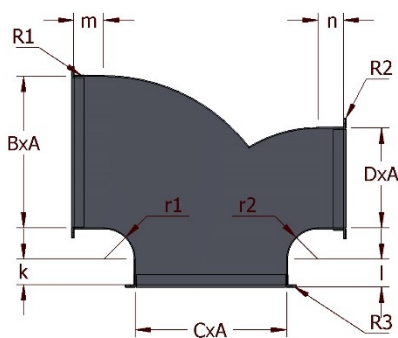
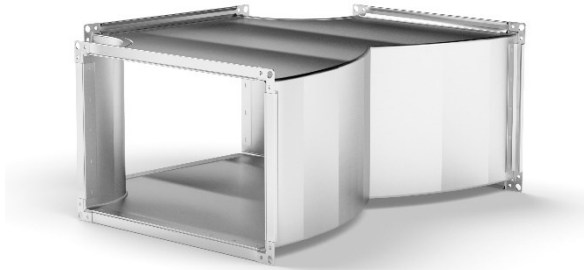
Connection method: seam lock, spot weld

Standard design: $k = 30 \text{ mm}$, $l = 30 \text{ mm}$, $m = 30 \text{ mm}$,
 $r1 = 120\text{mm}$, $r2 = 120\text{mm}$

Endings: P20, P20 LR, P30, P30 LR, bare end, outward bending

Leakproofness standard: Class A, Class B, Class C

Stiffeners: available in larger dimensions



Sample manufactured element dimensions:

A (mm)	B (mm)	C (mm)	D (mm)	Area (m ²)
250	450	710	315	3.50
250	500	700	500	7.68
570	400	430	400	3.32
300	300	600	300	2.81
315	250	315	160	1.40
400	500	800	400	5.30
300	400	800	600	4.86
1000	1000	1300	1000	32.24