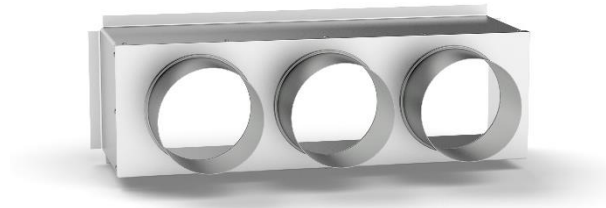


# DUCT CENTRAL UNIT PLENUM BOX – PRCK-1

## Description:

Plenum boxes are connection fittings for a duct central unit and flexible ducts, creating an artificial ventilation distribution system. The plenum box is made of galvanized metal sheets. It has four male-sized connections on one side and outward sheet bending on the other.



## Characteristics:

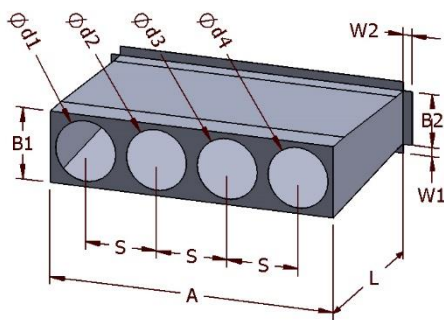
Sheet type: galvanized

Connection method: seam lock, spot weld

Standard design: W1 = 15 mm, W2 = 15 mm

Endings: P20, P20 LR, P30, P30 LR, bare end, outward bending

Leakproofness standard: Class A, Class B



## Sample manufactured element dimensions:

A (mm)	B1 (mm)	B2 (mm)	Ød1 (mm)	Ød2 (mm)	Ød3 (mm)	Ød4 (mm)	S (mm)
1020	480	400	200	200	200	200	250
600	200	650	200	200	0	0	300
707	147	100	100	100	100	100	150