

FAN ROOF BASE – PDW

Description:

A fan may be installed directly on this roof base. Remember to put a gasket between the fan and the base. A mounting plate dedicated for the individual fan may be used as a base. Base insulated with a 50 mm wool layer. The base may be manufactured at an angle.

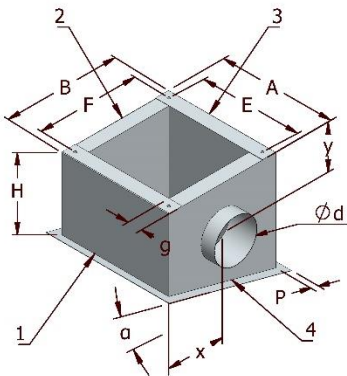
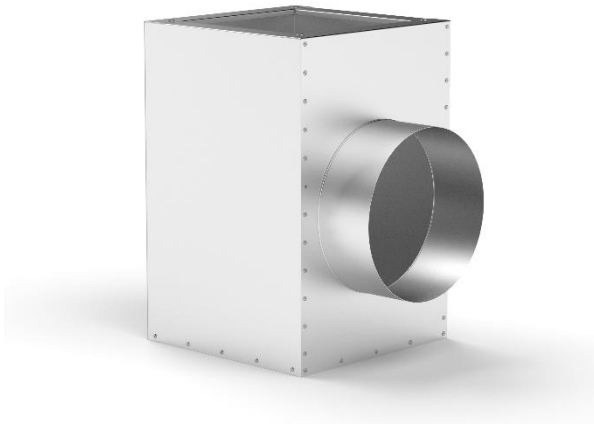
Characteristics:

Sheet type: galvanized

Connection method: seam lock, spot weld

Standard design: $E = A - 50$ mm, $F = B - 50$ mm, $g = 50$ mm, $H = 500$ mm, $P = 100$ mm

Leakproofness standard: Class A, Class B, Class C



Sample manufactured element dimensions:

| A (mm) | B (mm) | E (mm) | F (mm) | H (mm) | g (mm) | Ød (mm) | α |
|--------|--------|--------|--------|--------|--------|---------|---|
| 400 | 400 | 350 | 350 | 500 | 50 | 200 | 0 |
| 500 | 500 | 450 | 450 | 500 | 50 | 250 | 0 |
| 600 | 600 | 550 | 550 | 500 | 50 | 315 | 0 |
| 500 | 500 | 450 | 450 | 500 | 50 | 200 | 0 |
| 600 | 600 | 550 | 550 | 600 | 50 | 315 | 0 |
| 700 | 700 | 650 | 650 | 500 | 50 | 315 | 0 |
| 800 | 800 | 750 | 750 | 500 | 50 | 250 | 0 |
| 1000 | 1000 | 950 | 950 | 500 | 50 | 200 | 0 |