

# FOUR-WAY FITTING WITH CIRCULAR BRANCHES – CZOO

## Description:

The four-way fitting with circular branches is fitted at the ends of a steel profile frame and is additionally stiffened with transverse sheet corrugation. Circular branches are male-sized and are distributed symmetrically. The four-way fitting allows for routing the ventilation system with two circular branches at a 90° angle.

## Characteristics:

Measurement: DIN 18379

Sheet type: galvanized

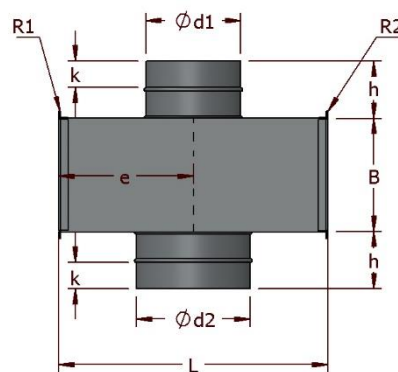
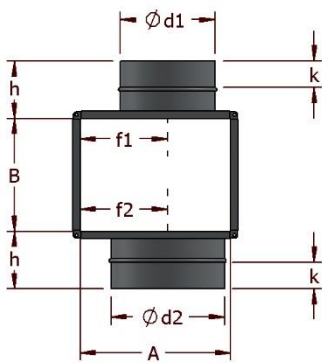
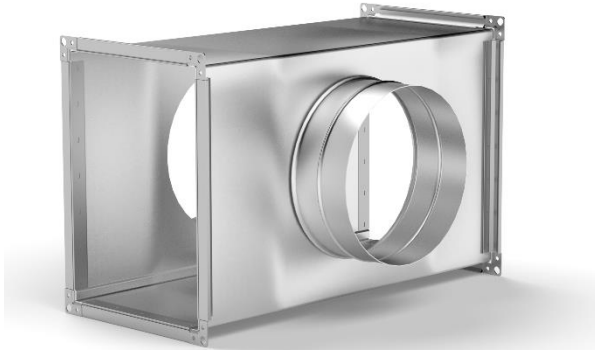
Connection method: seam lock, spot weld

Standard design:  $h = 100 \text{ mm}$ ,  $k = 50 \text{ mm}$

Endings: P20, P20 LR, P30, P30 LR, bare end, outward bending

Leakproofness standard: Class A, Class B, Class C

Stiffeners: available in larger dimensions



## Sample manufactured element dimensions:

A (mm)	B (mm)	Ød1 (mm)	Ød1 (mm)	L (mm)	Area (m <sup>2</sup> )
200	200	160	160	260	1.00
300	300	200	200	300	1.00
400	400	315	315	415	1.00
500	500	400	400	500	1.25
600	600	315	315	415	1.19
700	300	630	630	730	1.86
800	500	500	500	600	1.87
1000	1000	710	710	810	3.69
1400	1400	710	710	810	4.98