

FOUR-WAY FITTING WITH RECTANGULAR BRANCHES – CZOP

Description:

The four-way fitting with rectangular branches is fitted at the ends of a steel profile frame and is additionally stiffened with transverse sheet corrugation. The four-way fitting allows for routing the ventilation system with two branches at a 90° angle.

Characteristics:

Measurement: DIN 18379

Sheet type: galvanized

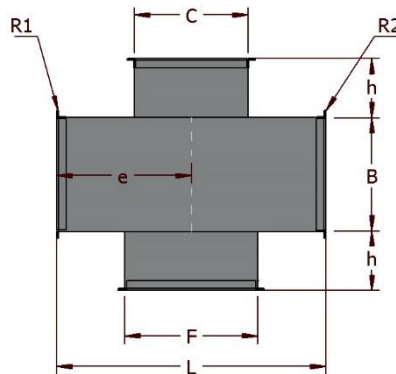
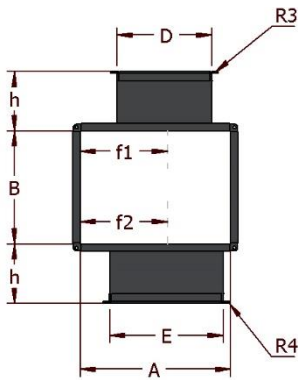
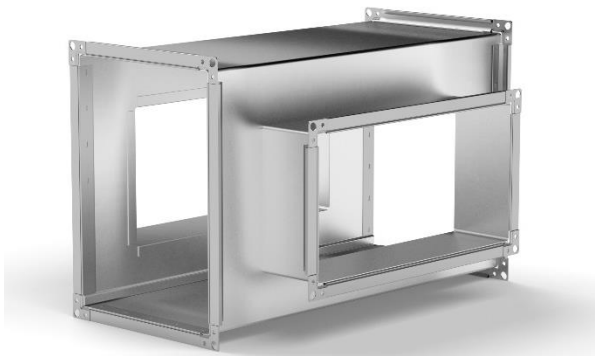
Connection method: seam lock, spot weld

Standard design: h = 100 mm

Endings: P20, P20 LR, P30, P30 LR, bare end, outward bending

Leakproofness standard: Class A, Class B, Class C

Stiffeners: available in larger dimensions



Sample manufactured element dimensions:

A (mm)	B (mm)	C (mm)	D (mm)	E (mm)	F (mm)	L (mm)	Area (m ²)
300	300	200	200	200	200	300	1.00
400	400	300	300	300	300	400	1.00
500	500	450	450	450	450	550	1.46
600	400	500	500	500	500	600	1.60
800	500	600	600	600	600	700	2.30
900	900	800	400	400	800	900	3.72
1000	500	900	600	800	900	1000	3.64
1000	1000	800	800	800	800	900	4.24
1400	1400	1000	1000	1000	1000	1100	6.96