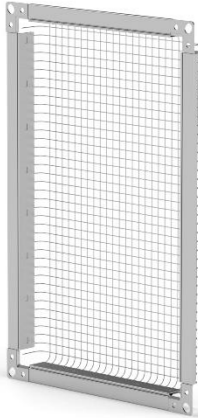


FRAME WITH MESH – RZS2

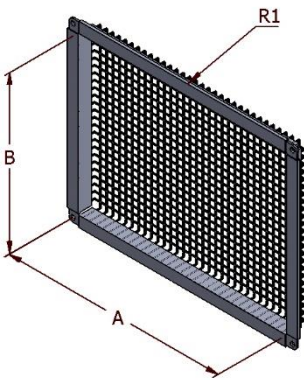
Description:

The frame is made of steel profiles and fitted with a galvanized 13 x 13 mm mesh. For ducts or fittings with a side length of 1000 mm or less, a P20 profile is used. For ducts or fittings with a side length of 1000 mm or more, a P30 profile is used.



Characteristics:

Sheet type: galvanized
Endings: P20, P30



Sample manufactured element dimensions:

A (mm)	B (mm)
200	200
300	300
400	400
500	500
600	600
700	700
800	800
1000	1000
2000	2000