

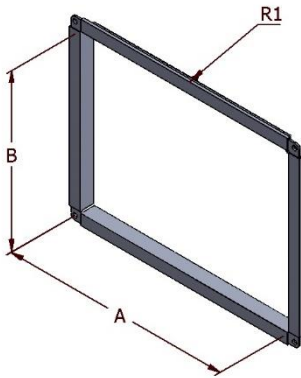
# FRAME – R

## Description:

The frame is made of steel profiles. It is used for connecting two ventilation ducts/fittings with one another. For ducts or fittings with a side length of 1000 mm or less, a P20 profile is used. For ducts or fittings with a side length of 1000 mm or more, a P30 profile is used.

## Characteristics:

Sheet type: galvanized  
Endings: P20, P30



## Sample manufactured element dimensions:

A (mm)	B (mm)
200	200
300	300
400	400
500	500
600	600
700	700
800	800
1000	1000
2000	2000