

PLENUM BOX WITH DAMPER – SRP

Description:

Plenum boxes are connection fittings for square anemostat diffusers in ventilation ducts. The plenum box is made of galvanized metal sheets. On the side, it has one male-sized connection. The inlet is fitted with a damper. The box is used for balancing the airflow to the anemostat diffuser.

Characteristics:

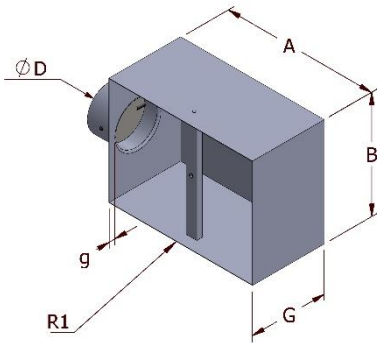
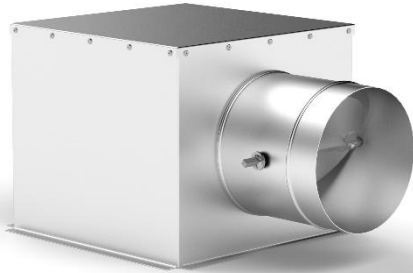
Sheet type: galvanized

Connection method: seam lock, spot weld

Standard design: $g = 30$ mm

Endings: P20, P20 LR, P30, P30 LR, bare end, outward bending

Leakproofness standard: Class A, Class B



Sample manufactured element dimensions:

A (mm)	B (mm)	G (mm)	ØD (mm)	g (mm)
200	200	200	125	30
300	300	200	160	30
400	400	250	200	30
500	500	300	250	30
600	600	400	315	30
700	700	400	315	30
800	800	300	250	30
1000	1000	450	355	30