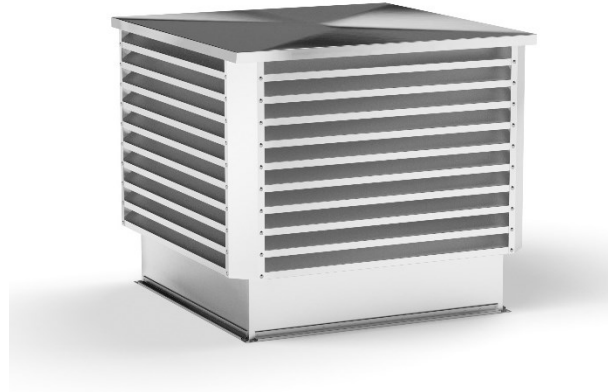


RECTANGULAR AIR INTAKE/EXHAUST WITH R – CWP1

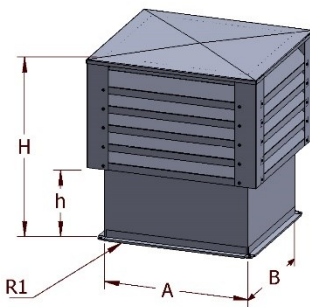
Description:

The roof air intake supplies air into the building, whereas the exhaust removes air outside. A steel profile frame is fitted at the bottom of the air intake/exhaust. The roof air intake/exhaust is fitted with galvanized steel blades for protection against precipitation. The air intake is additionally fitted with a 13 x 13 mm mesh, preventing the ingress of large insects or leaves. The entire air intake/exhaust is made of galvanized sheet.



Characteristics:

Sheet type: galvanized
 Connection method: seam lock, spot weld, rivets
 Standard design: H = 600 mm, h = 340 mm
 Endings: P20, P30
 Leakproofness standard: Class A, Class B



Sample manufactured element dimensions:

A (mm)	B (mm)	H (mm)	h (mm)
200	200	600	340
300	300	600	340
400	400	600	340
500	500	600	340
600	600	600	340
700	700	600	340
800	800	600	340
1000	1000	600	340