

RECTANGULAR ASYMMETRIC REDUCER – UA

Description:

The reducer is used for joining two rectangular ducts with different dimensions. The edges are finished with metal sheet profile frames. Stiffened with sheet corrugation and in the case of larger dimensions – with additional reinforcements. Allows for routing the ductwork while freely changing any dimensions and with any offset in both directions.



Characteristics:

Measurement: DIN 18379

Sheet type: galvanized

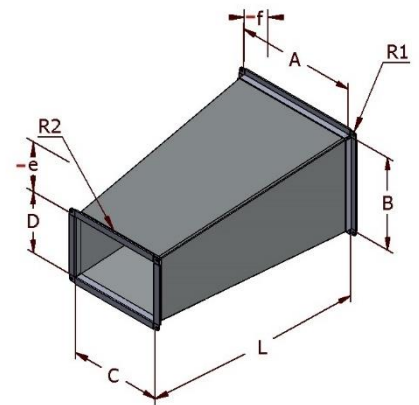
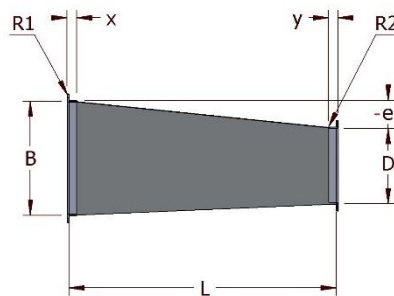
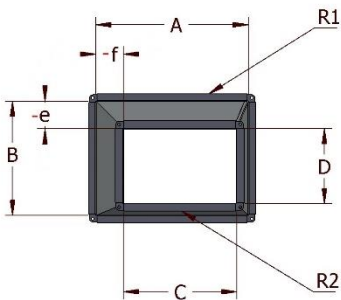
Connection method: seam lock, spot weld

Standard design: $x = 30\text{mm}$, $y = 30\text{mm}$

Endings: P20, P20 LR, P30, P30 LR, bare end, outward bending

Leakproofness standard: Class A, Class B, Class C

Stiffeners: available in larger dimensions



Sample manufactured element dimensions:

A (mm)	B (mm)	C (mm)	D (mm)	e (mm)	f (mm)	L (mm)	Area (m ²)
200	200	200	300	0	0	300	1.00
300	300	400	400	0	50	300	1.00
400	400	600	600	0	100	300	1.00
500	500	700	700	0	100	400	1.25
600	400	400	600	0	0	400	1.00
700	500	700	600	0	0	400	1.07
800	800	700	700	-50	-50	500	1.61
1000	1000	800	800	-100	-100	500	2.04