

# RECTANGULAR DUCT – K

## Description:

The rectangular duct terminates with steel profile frames and is stiffened with transverse sheet corrugation. Larger ducts are additionally stiffened with galvanized tubes.

Standard duct lengths are 1000 mm, 1250 mm and 1500 mm.

## Characteristics:

Measurement: DIN 18379

Sheet type: galvanized

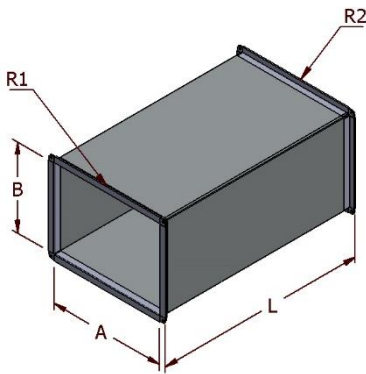
Connection method: seam lock, spot weld

Standard design: L = 1500 mm

Endings: P20, P20 LR, P30, P30 LR, bare end, outward bending

Leakproofness standard: Class A, Class B, Class C

Stiffeners: available in larger dimensions



## Sample manufactured element dimensions:

A (mm)	B (mm)	L (mm)	Area (m <sup>2</sup> )
200	200	1500	1.20
300	300	1500	1.80
400	400	1500	2.40
500	500	1500	3.00
600	600	1500	3.60
700	700	1500	4.20
800	800	1500	4.80
1000	1000	1500	6.00
2000	2000	1500	12.00