

RECTANGULAR FLEXIBLE CONNECTOR – ZEP

Description:

Rectangular flexible connectors are designed for cushioning rectangular ducts and ductwork elements. The connector consists of profiles, corners and a tape that serves as a cushioning connection with high airtightness.

Characteristics:

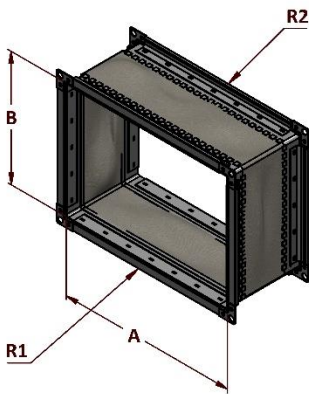
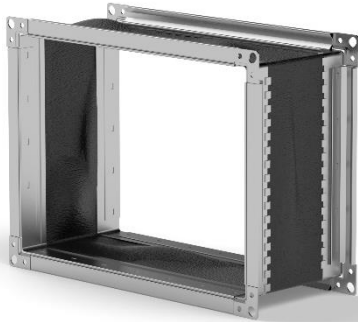
Sheet type: galvanized

Connection method: seam lock, spot weld

Standard design: –

Endings: P20, P30, bare end, outward bending

Leakproofness standard: Class A, Class B, Class C



Sample manufactured element dimensions:

A (mm)	B (mm)
200	200
300	300
400	400
500	500
600	600
700	700
800	800
1000	1000
2000	2000