

RECTANGULAR SYMMETRIC ELBOW – WS

Description:

Asymmetric rectangular elbows have frames made of profiles and are additionally reinforced with transverse sheet corrugation. Rectangular elbows are used for changing the ductwork routing direction, while changing the duct cross-section.

Characteristics:

Measurement: DIN 18379

Sheet type: galvanized

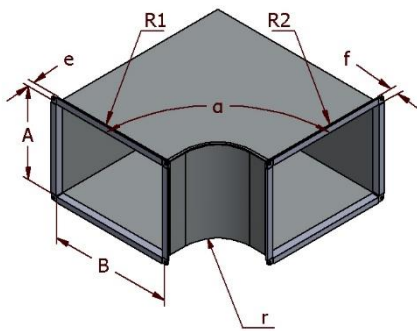
Connection method: seam lock, spot weld

Standard design: $e = 30 \text{ mm}$, $f = 30 \text{ mm}$, $r = 120 \text{ mm}$

Endings: P20, P20 LR, P30, P30 LR, bare end, outward bending

Leakproofness standard: Class A, Class B, Class C

Stiffeners: available in larger dimensions



Sample manufactured element dimensions:

A (mm)	B (mm)	e (mm)	f (mm)	r (mm)	α	Area (m ²)
200	200	30	30	120	90	1.00
300	400	30	30	120	90	1.54
400	400	30	30	120	90	1.76
400	600	30	30	120	90	3.00
600	600	30	30	120	90	3.60
700	700	30	30	120	90	4.76
800	800	30	30	120	90	6.08
1000	1000	30	30	120	90	9.20
2000	2000	30	30	120	90	34.40