

# RECTANGULAR SYMMETRIC REDUCER – US

## Description:

The reducer is used for joining two rectangular ducts with different dimensions. The edges are finished with metal sheet profile frames. Stiffened with sheet corrugation and in the case of larger dimensions – with additional reinforcements. For routing ductwork while symmetrically changing duct cross-section.

## Characteristics:

Measurement: DIN 18379

Sheet type: galvanized

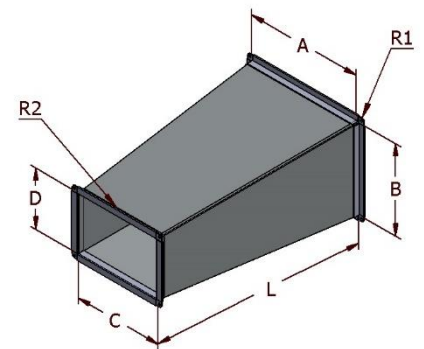
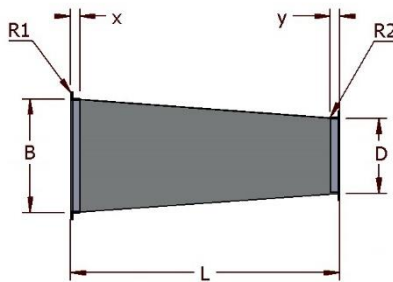
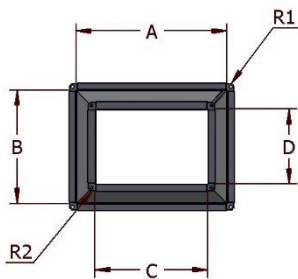
Connection method: seam lock, spot weld

Standard design:  $x = 30 \text{ mm}$ ,  $y = 30 \text{ mm}$

Endings: P20, P20 LR, P30, P30 LR, bare end, outward bending

Leakproofness standard: Class A, Class B, Class C

Stiffeners: available in larger dimensions



## Sample manufactured element dimensions:

| A (mm) | B (mm) | C (mm) | D (mm) | L (mm) | Area (m <sup>2</sup> ) |
|--------|--------|--------|--------|--------|------------------------|
| 200    | 200    | 200    | 300    | 300    | 1.00                   |
| 300    | 300    | 400    | 400    | 300    | 1.00                   |
| 400    | 400    | 600    | 600    | 300    | 1.00                   |
| 500    | 500    | 700    | 700    | 400    | 1.15                   |
| 600    | 400    | 400    | 600    | 400    | 1.00                   |
| 700    | 500    | 700    | 600    | 400    | 1.05                   |
| 800    | 800    | 700    | 700    | 500    | 1.61                   |
| 1000   | 1000   | 800    | 800    | 500    | 2.04                   |