

# ROOF BASE – PDA1

## Description:

The roof base is used for installing a roof air intake/exhaust on a roof curb. The upper part of the base consists of a steel profile frame that allows for the installation of an air intake/exhaust.

## Characteristics:

Sheet type: galvanized

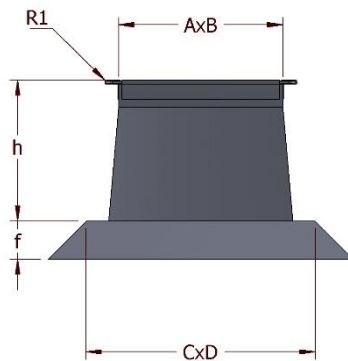
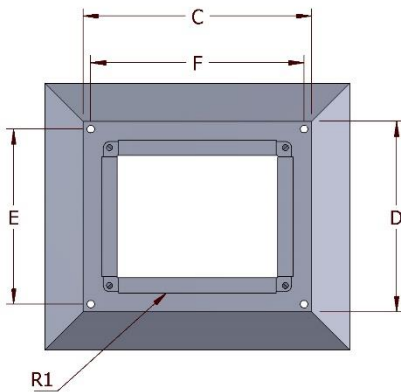
Connection method: seam lock, spot weld

Standard design:  $E = D - 50 \text{ mm}$ ,  $F = C - 50 \text{ mm}$ ,  $f = 50 \text{ mm}$ ,  $h = 200 \text{ mm}$

Endings: P20, P20 LR, P30, P30 LR, bare end, outward bending

Leakproofness standard: Class A, Class B, Class C

Stiffeners: available in larger dimensions



## Sample manufactured element dimensions:

A (mm)	B (mm)	C (mm)	D (mm)	E (mm)	F (mm)	f (mm)	h (mm)
250	250	410	410	360	360	50	200
400	400	560	560	510	510	50	200
500	500	660	660	610	610	50	200
600	600	760	760	710	710	50	200
700	700	860	860	810	810	50	200
800	800	960	960	910	910	50	200
900	900	1060	1060	1010	1010	50	200
1000	1000	1160	1160	1110	1110	50	200