

# SILENCER – TPAA

## Description:

The rectangular silencer is designed for damping noise in ventilation ducts. The silencer consists of a casing and internal baffles. The casing is made of a galvanized steel sheet duct with steel frames and profiles. Internal silencer baffles are profiled with a triangle-shaped metal sheet on one side to facilitate air flow. The baffles consist of a galvanized metal sheet and a mineral wool insert. Wool surface is coated with a special protective fabric.

## Characteristics:

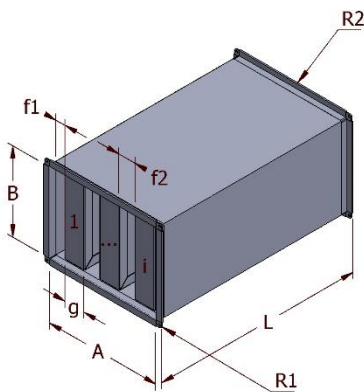
Sheet type: galvanized

Connection method: seam lock, spot weld, rivets

Standard design: L = 1500 mm, g = 100 mm

Endings: P20, P20 LR, P30, P30 LR, bare end, outward bending

Leakproofness standard: Class A, Class B, Class C



## Sample manufactured element dimensions:

A (mm)	B (mm)	L (mm)	i (number of baffles)	g (mm)	f1 (mm)	f2 (mm)
400	300	1500	2	100	50	100
500	300	1500	3	100	50	50
600	400	1500	3	100	50	100
700	500	1500	3	100	100	100
800	600	1500	4	100	50	100
900	700	1500	4	100	100	100
1000	800	1500	5	100	50	100
1200	1000	1500	6	100	50	100