

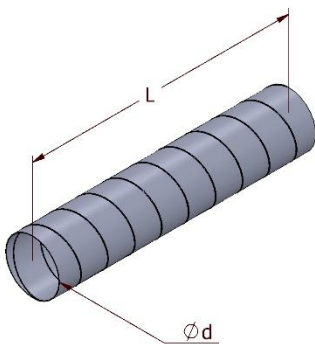
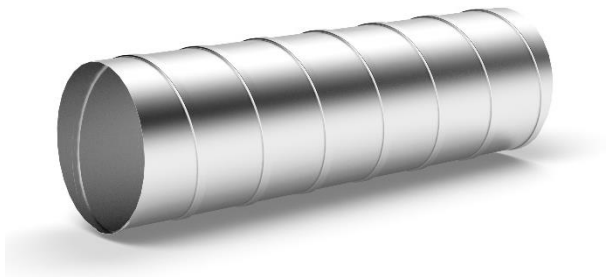
SPIRO DUCT – KS

Description:

Spiral rolled circular airducts are manufactured at diameters from 80 to 1600 mm. They are Class D airtight according to the PN_EN 12237 standard. Made of galvanized metal sheets.

Characteristics:

Sheet type: galvanized
 Connection method: seam lock, spot weld
 Standard design: L = 3000 mm



Sample manufactured element dimensions:

Ød (mm)	L (mm)
80	3000
100	3000
125	3000
160	3000
200	3000
250	3000
315	3000
355	3000
400	3000
450	3000
500	3000
630	3000