

# SYMMETRIC DIFFUSER – RS

## Description:

The diffuser is used for changing the cross-section of the air duct from rectangular to circular. The diffuser allows for symmetrical ductwork routing. The circular branch is male-sized.

## Characteristics:

Measurement: DIN 18379

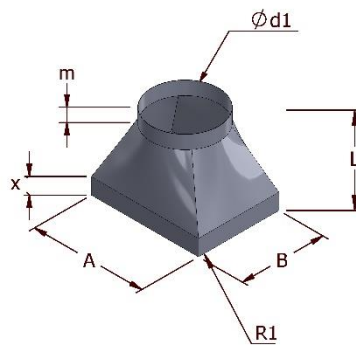
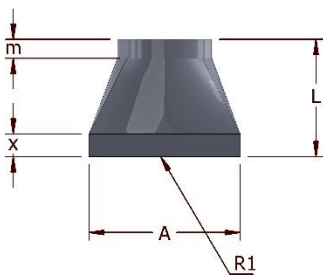
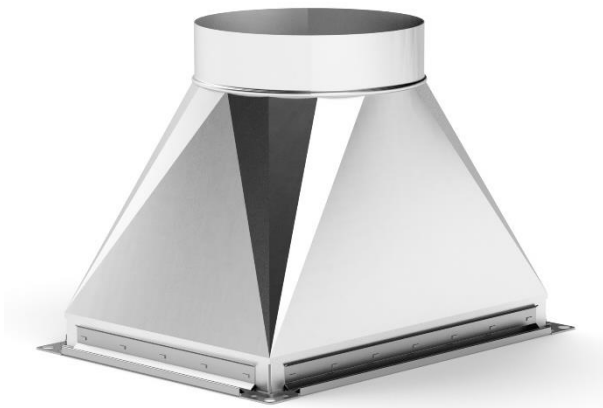
Sheet type: galvanized

Connection method: seam lock, spot weld

Standard design:  $m = 50$  mm,  $x = 30$  mm

Endings: P20, P20 LR, P30, P30 LR, bare end, outward bending

Leakproofness standard: Class A, Class B, Class C



## Sample manufactured element dimensions:

A (mm)	B (mm)	Ød1 (mm)	L (mm)	Area (m <sup>2</sup> )
200	200	160	250	1.00
300	300	200	250	1.00
500	500	315	300	1.00
600	600	400	400	1.00
800	800	630	450	1.47
900	900	710	500	1.83
1000	1000	710	600	2.47