

SYMMETRICAL THREE-WAY – TG

Description:

Symmetrical three-ways are terminated with frames made of profiles and are additionally reinforced with transverse sheet corrugation. The symmetrical three-way has a uniform height. This three-way fitting allows for routing ductwork with a branch at a 90° angle.

Characteristics:

Measurement: DIN 18379

Sheet type: galvanized

Connection method: seam lock, spot weld

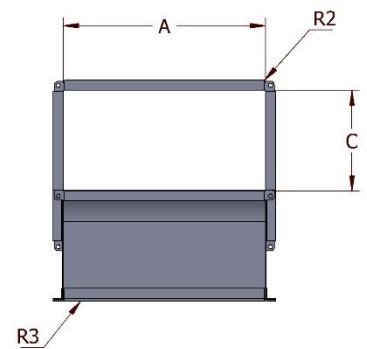
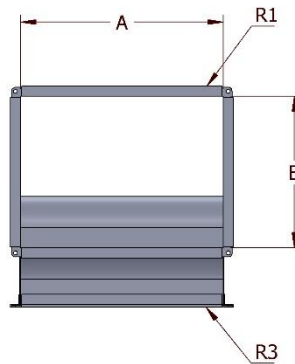
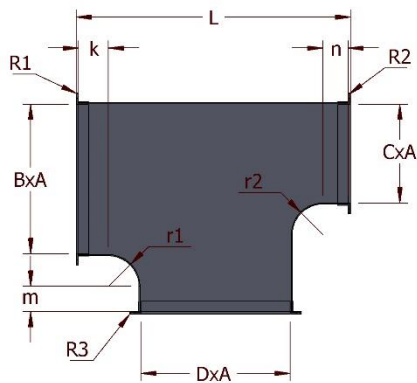
Standard design: $k = 30\text{mm}$, $m = 30\text{mm}$, $n = 30\text{mm}$,

$r1 = 120\text{mm}$, $r2 = 120\text{mm}$

Endings: P20, P20 LR, P30, P30 LR, bare end, outward bending

Leakproofness standard: Class A, Class B, Class C

Stiffeners: available in larger dimensions



Sample manufactured element dimensions:

A (mm)	B (mm)	C (mm)	D (mm)	L (mm)	Area (m ²)
200	300	300	400	700	1.00
300	500	300	600	900	1.71
400	400	400	700	1000	1.93
600	200	300	500	800	1.77
600	600	300	500	800	2.25
800	800	600	600	900	3.30