

# TAPERED THREE-WAY – TR

## Description:

Tapered three-ways are terminated with frames made of profiles and are additionally reinforced with transverse sheet corrugation. The tapered three-way features a branch at an angle of 90° and reduction of the main duct.

## Characteristics:

Measurement: DIN 18379

Sheet type: galvanized

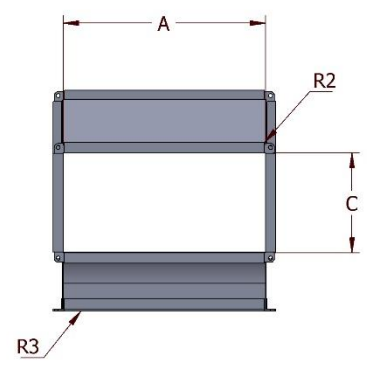
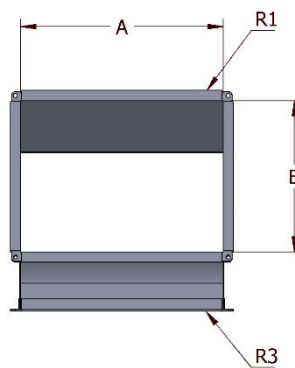
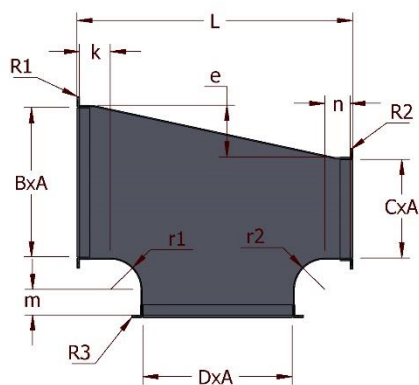
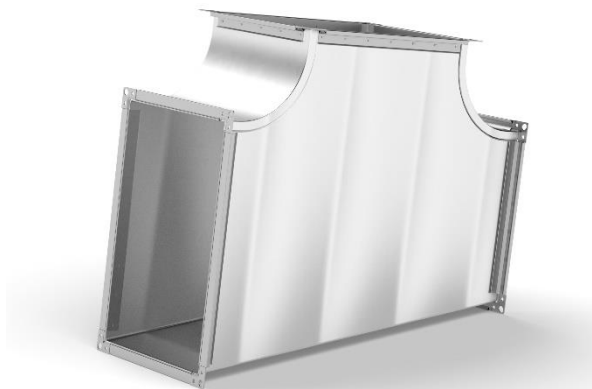
Connection method: seam lock, spot weld

Standard design:  $k = 30 \text{ mm}$ ,  $m = 30 \text{ mm}$ ,  $n = 30 \text{ mm}$ ,  
 $r1 = 120 \text{ mm}$ ,  $r2 = 120 \text{ mm}$

Endings: P20, P20 LR, P30, P30 LR, bare end, outward bending

Leakproofness standard: Class A, Class B, Class C

Stiffeners: available in larger dimensions



## Sample manufactured element dimensions:

A (mm)	B (mm)	C (mm)	D (mm)	L (mm)	e (mm)	Area (m <sup>2</sup> )
200	300	200	300	600	100	1.00
300	600	400	500	800	200	1.72
400	500	300	700	1000	200	2.17
500	600	400	700	1000	200	2.60
600	800	600	700	1000	200	3.25
600	900	500	800	1100	400	3.93
800	800	500	900	1200	300	4.47