

THREE-WAY WITH CIRCULAR BRANCH – TO

Description:

The three-ways are terminated with frames made of profiles and are additionally reinforced with transverse sheet corrugation. The symmetrical three-way has a uniform height. This three-way fitting allows for routing ductwork with a circular branch. The circular branch is symmetrical and male-sized.

Characteristics:

Measurement: DIN 18379

Sheet type: galvanized

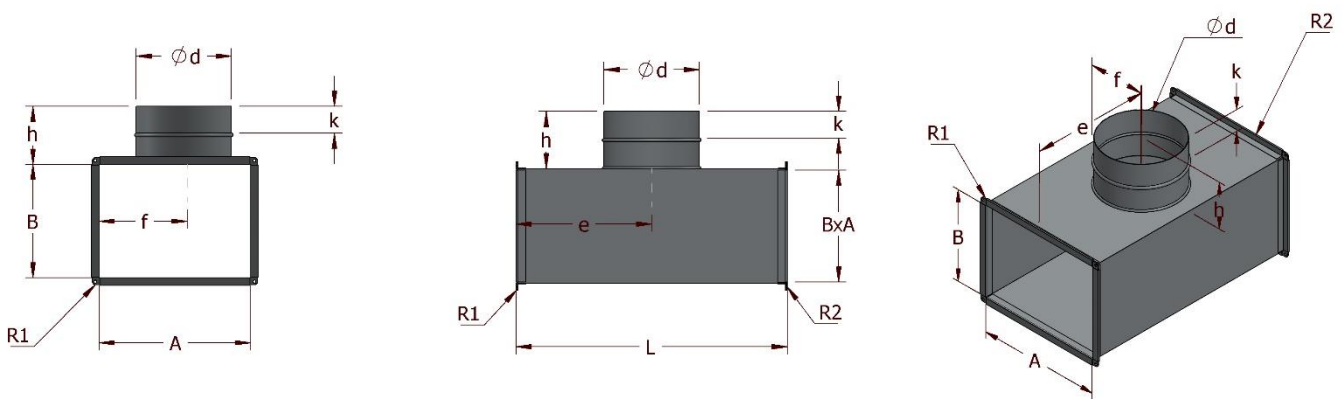
Connection method: seam lock, spot weld

Standard design: $k = 50\text{mm}$, $h = 100\text{mm}$

Endings: male-sized, P20, P20 LR, P30, P30 LR, bare end, outward bendings

Leakproofness standard: Class A, Class B, Class C

Stiffeners: available in larger dimensions



Sample manufactured element dimensions:

A (mm)	B (mm)	Ød (mm)	L (mm)	Area (m ²)
200	200	160	260	1.00
400	200	250	350	1.00
400	400	315	415	1.00
600	600	400	500	1.33
800	600	630	730	2.24
800	800	710	810	2.81