

# THREE-WAY WITH RECTANGULAR BRANCH – TS

## Description:

Three-ways with rectangular branch are terminated with frames made of profiles and are additionally reinforced with transverse sheet corrugation. This three-way fitting allows for routing ductwork with a branch at a 90° angle. The inlet and outlet cross-sections are the same.



## Characteristics:

Measurement: DIN 18379

Sheet type: galvanized

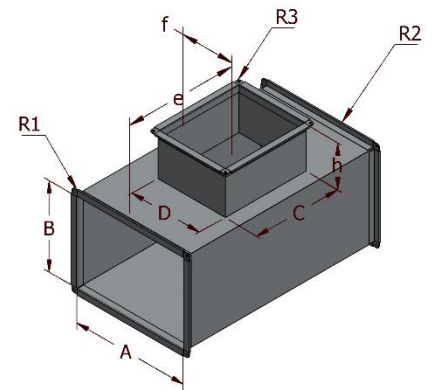
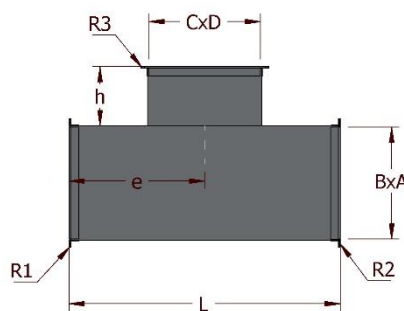
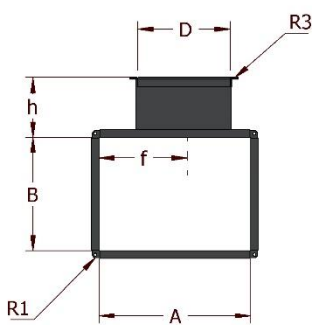
Connection method: seam lock, spot weld

Standard design: h = 100 mm

Endings: P20, P20 LR, P30, P30 LR, bare end, outward bending

Leakproofness standard: Class A, Class B, Class C

Stiffeners: available in larger dimensions



## Sample manufactured element dimensions:

A (mm)	B (mm)	C (mm)	D (mm)	L (mm)	Area (m <sup>2</sup> )
200	200	200	160	300	1.00
300	300	400	250	500	1.00
600	400	500	500	600	1.40
700	500	500	500	600	1.64
800	600	600	500	700	2.18
1000	1000	800	800	1000	4.32