

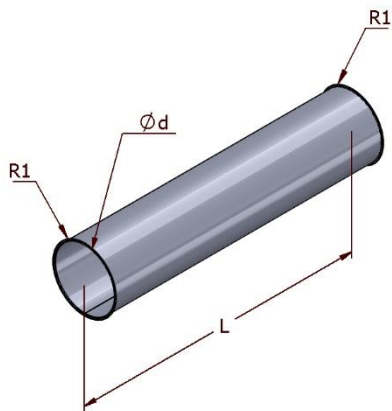
TRANSMISSION SYSTEM – DUCT – QS-K

Description:

Transmission System ducts are manufactured at diameters ranging from 160 to 600 mm. Individual elements are connected with clamping hasps. This makes the on-site installation easier and faster. The Transmission System is designed for dust removal systems. Made of galvanized metal sheets.

Characteristics:

Sheet type: galvanized
 Connection method: seam lock, spot weld
 Standard design: L = 1000 mm
 Endings: outward bending 7 mm



Manufactured element dimensions:

$\varnothing d$ (mm)	L (mm)
160	1000
180	1000
200	1000
225	1000
250	1000
300	1000
315	1000
350	1000
400	1000
450	1000
500	1000
550	1000
600	1000

