

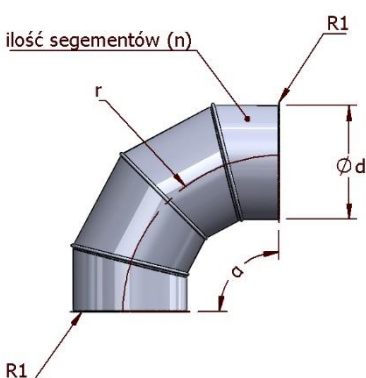
# TRANSMISSION SYSTEM – ELBOW – QS-KOS

## Description:

Transmission System elbows are manufactured at diameters ranging from 160 to 600 mm. Individual elements are connected with clamping hasps. This makes the on-site installation easier and faster. The Transmission System is designed for dust removal systems. Made of galvanized metal sheets.

## Characteristics:

Sheet type: galvanized  
 Connection method: seam lock, spot weld  
 Standard design:  $d = r$ ,  $\alpha = 90^\circ$   
 Endings: outward bending 7 mm



## Manufactured element dimensions:

Ød (mm)	r (mm)	α
160	160	90
180	180	90
200	200	90
225	225	90
250	250	90
300	300	90
315	315	90
350	350	90
400	400	90
450	450	90
500	500	90
550	550	90
600	600	90

