

CIRCULAR AIR EXHAUST – WD-E

Description:

WD-E roof exhausts are used on building roofs as ventilation system air outlets. A sloped collar ensures precipitation water take-off onto the roof surface.

Characteristics:

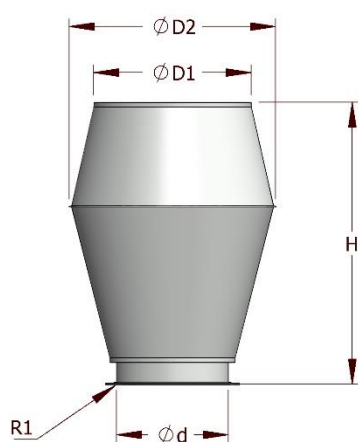
Sheet type: galvanized

Connection method: seam lock, spot weld, rivets

Standard design: -

Endings: male, female, flange

Leakproofness standard: Class A, Class B



Sample manufactured element dimensions:

Ød (mm)	ØD1 (mm)	ØD2 (mm)	H (mm)
125	185	225	450
160	230	290	510
200	280	360	575
250	350	450	630
315	440	570	710
355	500	640	750
400	560	720	800
450	630	810	860
500	700	900	915
560	790	1000	970
630	880	1135	1200
710	995	1280	1320