

SLOT DIFFUSER PLENUM BOX – PRNS-1

Description:

Plenum boxes are connection fittings for a slot diffuser and flexible ducts, creating a ventilation distribution system. The plenum box is made of galvanized metal sheets. At the base, it has a male-sized connection.

Characteristics:

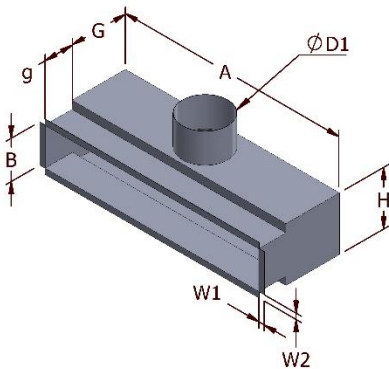
Sheet type: galvanized

Connection method: seam lock, spot weld

Standard design: W1 = 15 mm, W2 = 15 mm, g = 50 mm

Endings: P20, P20 LR, P30, P30 LR, bare end, outward bending

Leakproofness standard: Class A, Class B



Sample manufactured element dimensions:

A (mm)	B (mm)	g (mm)	ØD1 (mm)	G (mm)	H (mm)
1020	200	50	200	250	250
600	200	50	160	200	200
707	147	50	160	200	200