

# TAPERED THREE-WAY WITH CIRCULAR BRANCH – TR2

## Description:

Tapered three-ways are terminated with frames made of profiles and are additionally reinforced with transverse sheet corrugation. The tapered three-way features a circular branch at an angle of 90° and the reduction of the main duct.

## Characteristics:

Measurement: DIN 18379

Sheet type: galvanized

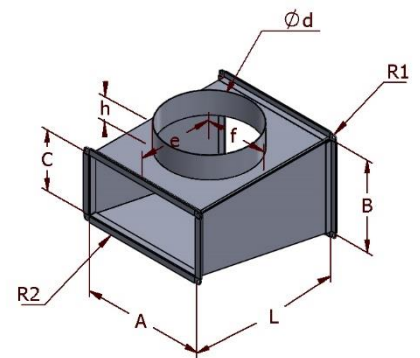
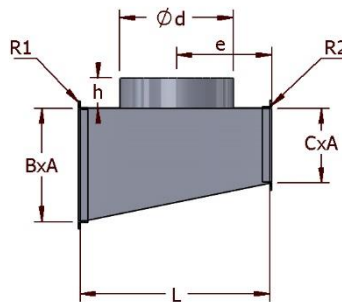
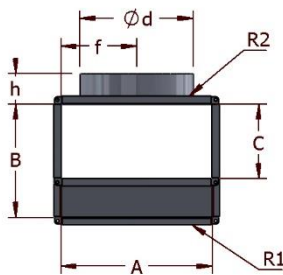
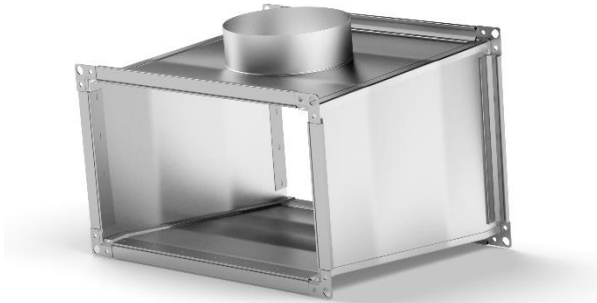
Connection method: seam lock, spot weld

Standard design: h = 100 mm

Endings: male-sized, P20, P20 LR, P30, P30 LR, bare end, outward bendings

Leakproofness standard: Class A, Class B, Class C

Stiffeners: available in larger dimensions



## Sample manufactured element dimensions:

A (mm)	B (mm)	C (mm)	Ød (mm)	L (mm)	Area (m <sup>2</sup> )
200	300	200	160	260	1.00
300	400	300	250	350	1.00
400	500	400	315	415	1.00
700	600	400	315	415	1.30
800	700	400	315	415	1.64
900	800	500	630	730	2.88