

TAPERED THREE-WAY WITH RECTANGULAR BRANCH – TR1a

Description:

Tapered three-ways are terminated with frames made of profiles and are additionally reinforced with transverse sheet corrugation. The tapered three-way features a rectangular branch at an angle of 90° and the reduction of the main duct.



Characteristics:

Measurement: DIN 18379

Sheet type: galvanized

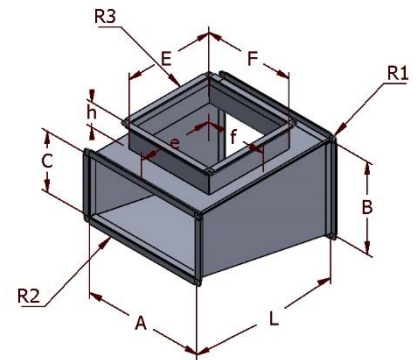
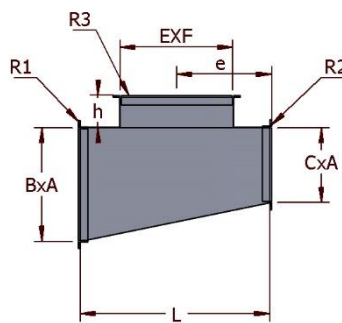
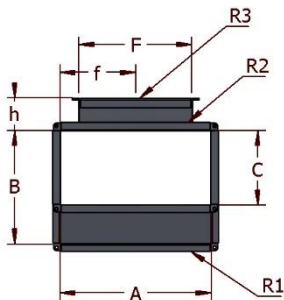
Connection method: seam lock, spot weld

Standard design: h = 100 mm

Endings: P20, P20 LR, P30, P30 LR, bare end, outward bending

Leakproofness standard: Class A, Class B, Class C

Stiffeners: available in larger dimensions



Sample manufactured element dimensions:

A (mm)	B (mm)	C (mm)	E (mm)	F (mm)	L (mm)	Area (m ²)
300	400	200	300	200	500	1.00
400	500	300	300	200	500	1.07
600	600	400	500	400	600	1.70
700	700	500	500	400	600	1.95
800	800	600	600	600	800	2.88
1000	1000	800	1000	800	1200	5.23