

# BAG FILTER CASING – SFE

## Description:

The cassette filter casing may be fitted with class G3, M5, F7 filters. Used for cleaning the air delivered to rooms, as well as evacuated through air-conditioning systems.

## Characteristics:

Sheet type: galvanized

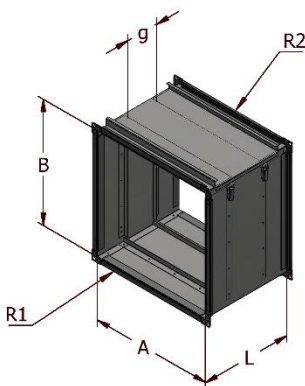
Connection method: seam lock, spot weld, rivets

Standard design:  $g = 20 \text{ mm}$ ,  $L = 450 \text{ mm}$

Endings: P20, P20 LR, P30, P30 LR, bare end, outward bending

Leakproofness standard: Class A, Class B, Class C

Filter type: Cassette filter class G3, M5, F7, 300 mm length



## Sample manufactured element dimensions:

A (mm)	B (mm)	L (mm)
200	200	450
300	300	450
450	450	450