

ROOF BASE – PDB1

Description:

The roof base is used for installing a circular roof air intake/exhaust on a rectangular roof curb. The upper part of the roof base may have a male, female or flange ending.



Characteristics:

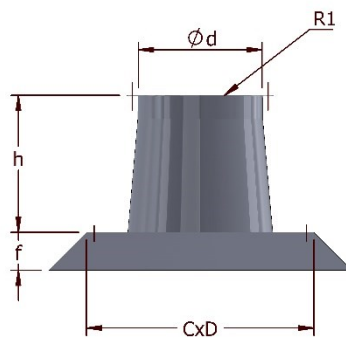
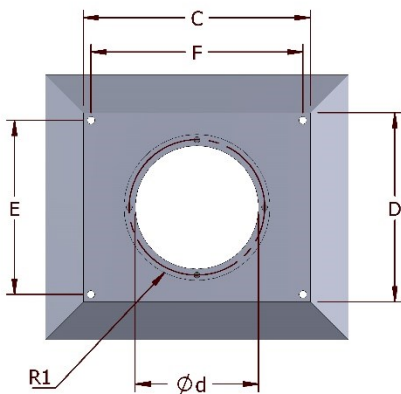
Sheet type: galvanized

Connection method: seam lock, spot weld

Standard design: $E = D - 50$ mm, $F = C - 50$ mm, $f = 50$ mm, $h = 200$ mm

Endings: male, female, flange

Leakproofness standard: Class A, Class B, Class C



Sample manufactured element dimensions:

C (mm)	D (mm)	E (mm)	F (mm)	Ød (mm)	f (mm)	h (mm)
360	360	310	310	200	50	200
410	410	360	360	250	50	200
475	475	425	425	315	50	200
515	515	465	465	355	50	200
560	560	510	510	400	50	200
610	610	560	560	450	50	200
790	790	740	740	630	50	200
870	870	820	820	710	50	200